

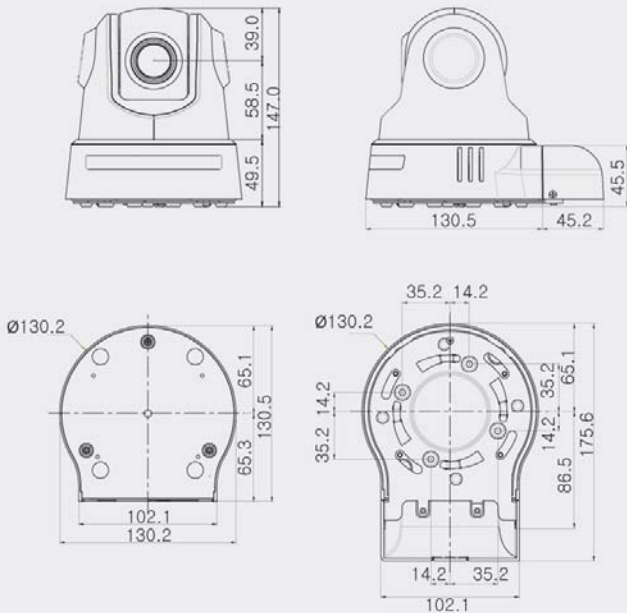


## Features

- 1/4" Super HAD CCD
- High Resolution 500 TV Line
- Max. 100x Zoom (10x Optical / 10x Digital)
- TDN(ICR), DSS
- OSD
- Super Digital Noise Reduction
- Max Speed : Pan (360°/sec), Swing (180°/sec)
- Angular Travel : Pan 360°, Tilt 190°
- 127 Presets, 8 Swing, 4 Patterns, 8 Groups
- Auto flip, Auto Parking
- Privacy Zone (4 Zone Setting)
- RS-485



## Dimensions



## Optional Accessories

Model	PM3063N	PM3063P
Signal System	NTSC	PAL
Scanning System	2:1 Interlace	
Sync. System	Internal	
Effective Pixel No. (V)	768(H) x 494(V) 380K	752(H) x 582(V) 440K
Image Sensor	1/4" Super HAD CCD	
Resolution	500 TV Lines (Color), 570 TV Lines (BW)	
Video S/N Ratio	More than 50dB (AGC Off)	
Min. Illumination	0.7Lux (Color), 0.02Lux (BW), 50 IRE	
Day & Night Type	Auto / Day / Night (ICR)	
SDNR	Low / Middle / High / Off	
<b>Lens</b>		
Zoom Ratio	100x Zoom (10x Optical Zoom, 10x Digital Zoom)	
Focal Length	3.8 (W) mm ~ 38 (T) mm, F1.8	
<b>Pan and Tilt</b>		
Panning/Tilting Range	Pan: 360° endless rotation; Tilt: 190° (Auto-Flip)	
Panning/Tilting Speed	Manual: 0.05° ~ 200°/sec; Preset: 360°/sec; Swing: 1° ~ 180°/sec	
Preset	127 position with Labels	
Swing / Pattern / Group	8 Swings/4 Patterns (about 5min/Pattern)/8 groups (max. 20)	
<b>Main Functions</b>		
OSD Menu	Menu/PTZ Information	
Focus Control	Auto/Manual/Semi-Auto	
Iris / Gain Control	Auto/Manual (0~255)	
White Balance	Auto/Manual (Red, Blue Gain Adjustable)	
BLC / Flickerless	Low/Middle/High/Off, Selectable	
Alarm I/O	4 port coupler inputs, 2 relay outputs	
<b>Electrical &amp; General</b>		
Power	12VDC / 3.5W	
Dimensions (approx.)	130.2(W) x 130.5(D) x 142.1(H) mm	
Weight	Approx. 1kg	